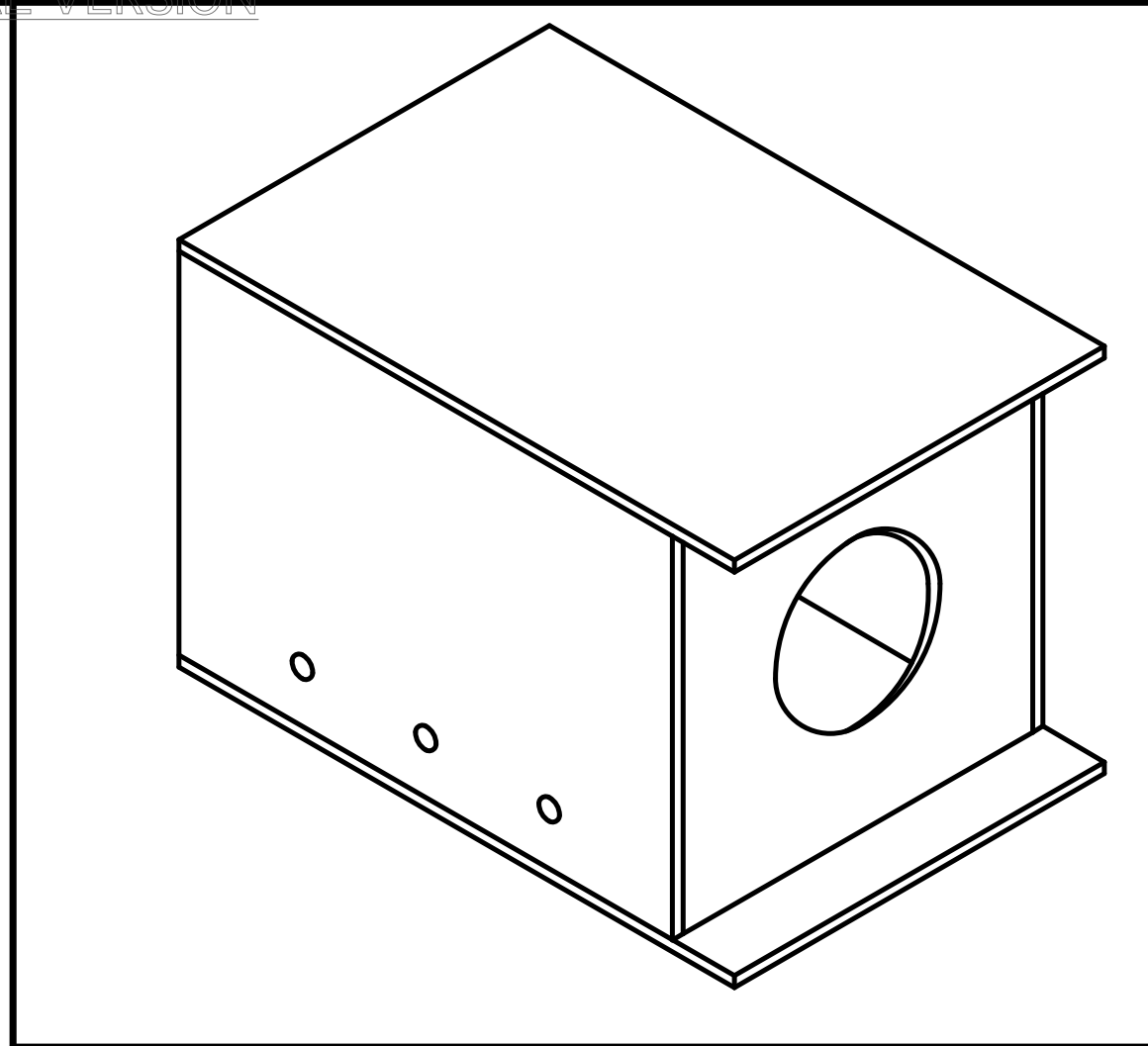
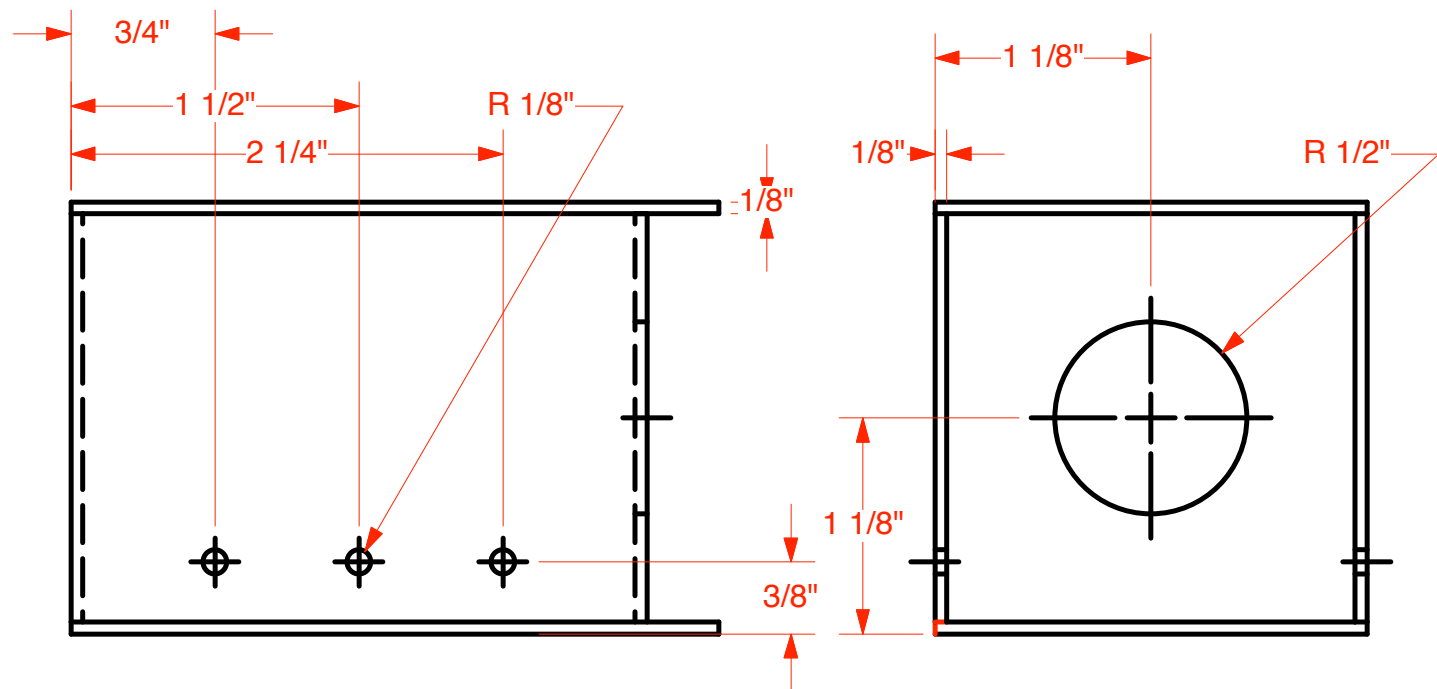


TOP VIEW

FRONT VIEW

RIGHTSIDE VIEW



1	1
BARN OWL BIRD HOUSE	
DRN BY: DANIEL BAKER	DATE: 11/16/10
SCALE: 1:1/8	

STEVENSON HIGH SCHOOL
 TECHNOLOGY EDUCATION DEPARTMENT TECHNICAL DRAWING PROGRAM